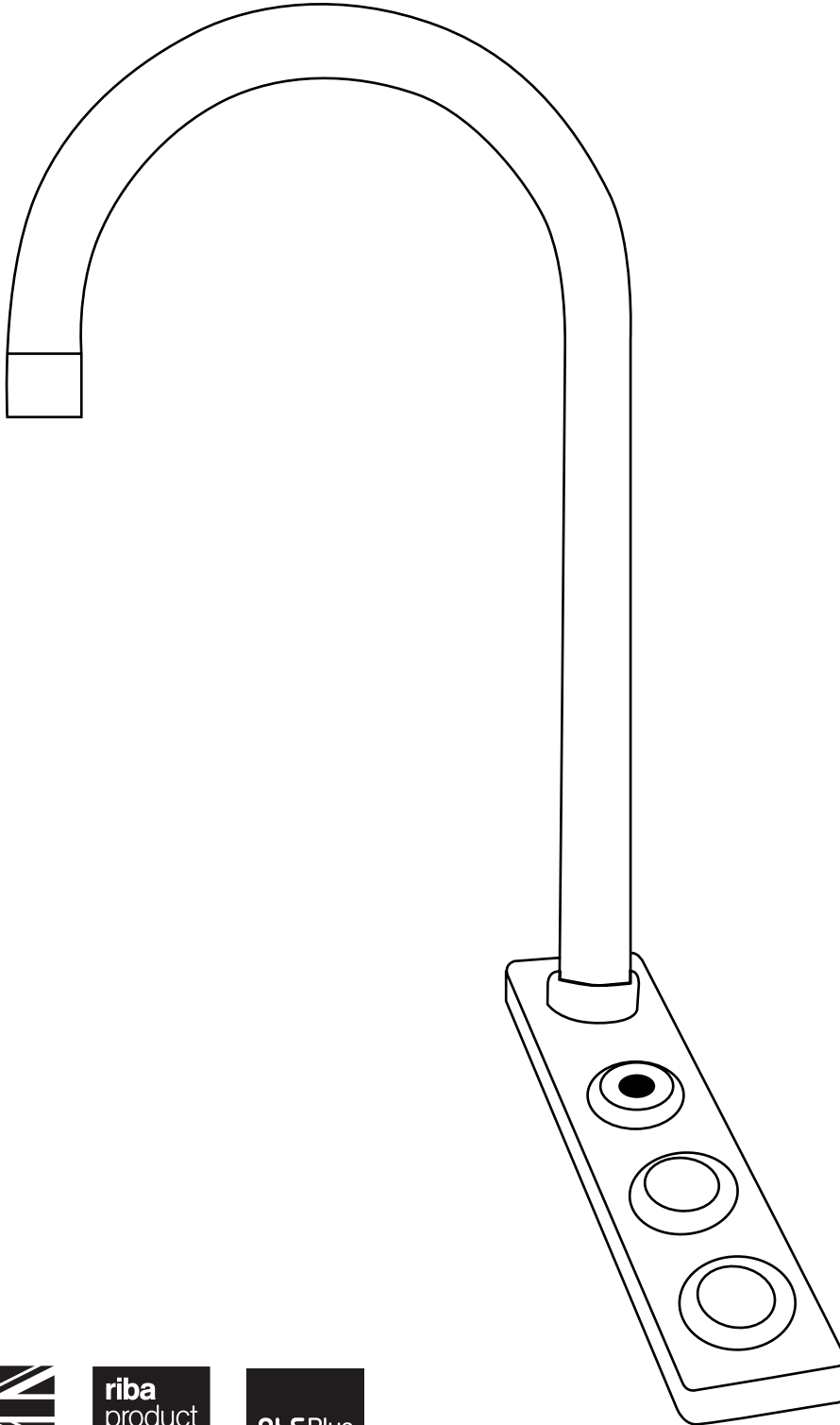


PRE-INSTALLATION SPECIFICATIONS

QST-553BCS

-boiling, chilled and sparkling solutions

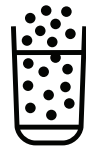
quateau[®]
SmartTap



BOILING



CHILLED



SPARKLING

MADE
IN GREAT
BRITAIN 

riba
product
selector

NBSPlus

220V/50Hz

QST-553-BCS PRE-INSTALLATION SPECIFICATION

SPECIAL FEATURES

- Delivers high volumes of boiling, sparkling and chilled water
- Fits into a standard 24" cabinet
- Ventilation duct included for kick space installation
- Low energy consumption
- Highest performing insulation
- Most robust and reliable system available
- Dispenses 8 gallons/30 liter of piping hot (204-206°F/95-96°C) water per hour
- Up to 15 mugs in one draw with no temperature drop & just 5-8 minutes recovery time
- Delivers 5.3 gallons/20 liter of chilled/sparkling water per hour at 40-45°F/4-7°C
- 25 gallons/94 liter of champagne-style sparkling water per CO2 cylinder
- Easy to use push-button control
- DDA compliant controls
- Faucets are constructed of solid stainless-steel for optimal life and durability
- Leak detection as standard

QST-553-BCS PRE-INSTALLATION SPECIFICATION

PRODUCT DISPENSE

EQUIPMENT DIMENSIONS

- System is installed in component form
- Fits in standard cabinet (24" x 24" x 34.5")
- Individual component dimensions on drawing page

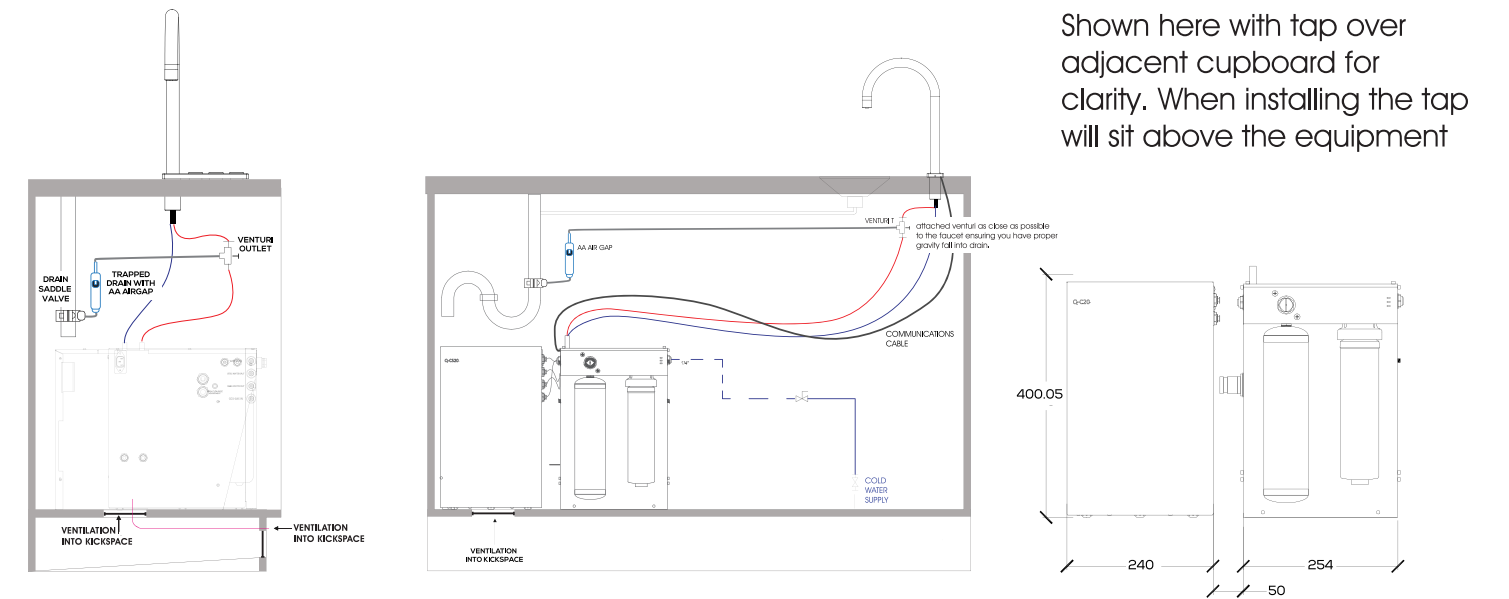
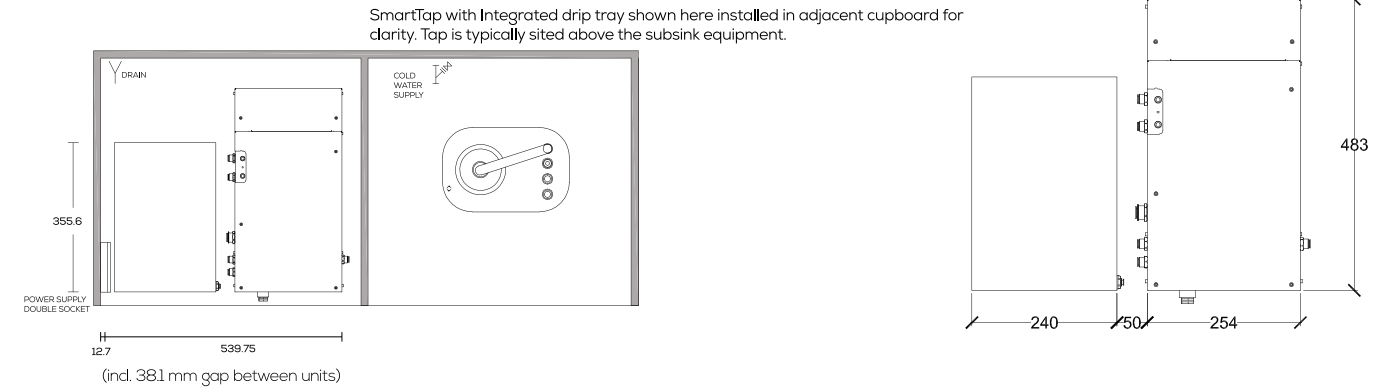
SITE PREPARATION DETAILS

- 1/4" isolated shut off valve on a water supply line
- Two (2) dedicated 13amp 220V-50Hz circuits
- Maximum water pressure 4Bar/60 psi
- Minimum water pressure 3Bar/45 psi
- Minimum water flow 26.5 gallons/100.31 liter per hour
- Approved sanitary drain to be installed to local codes to accommodate air gap supplied with equipment
- Ventilation cut in kick space per drawings
- Work-surface cut per drawings to house tap

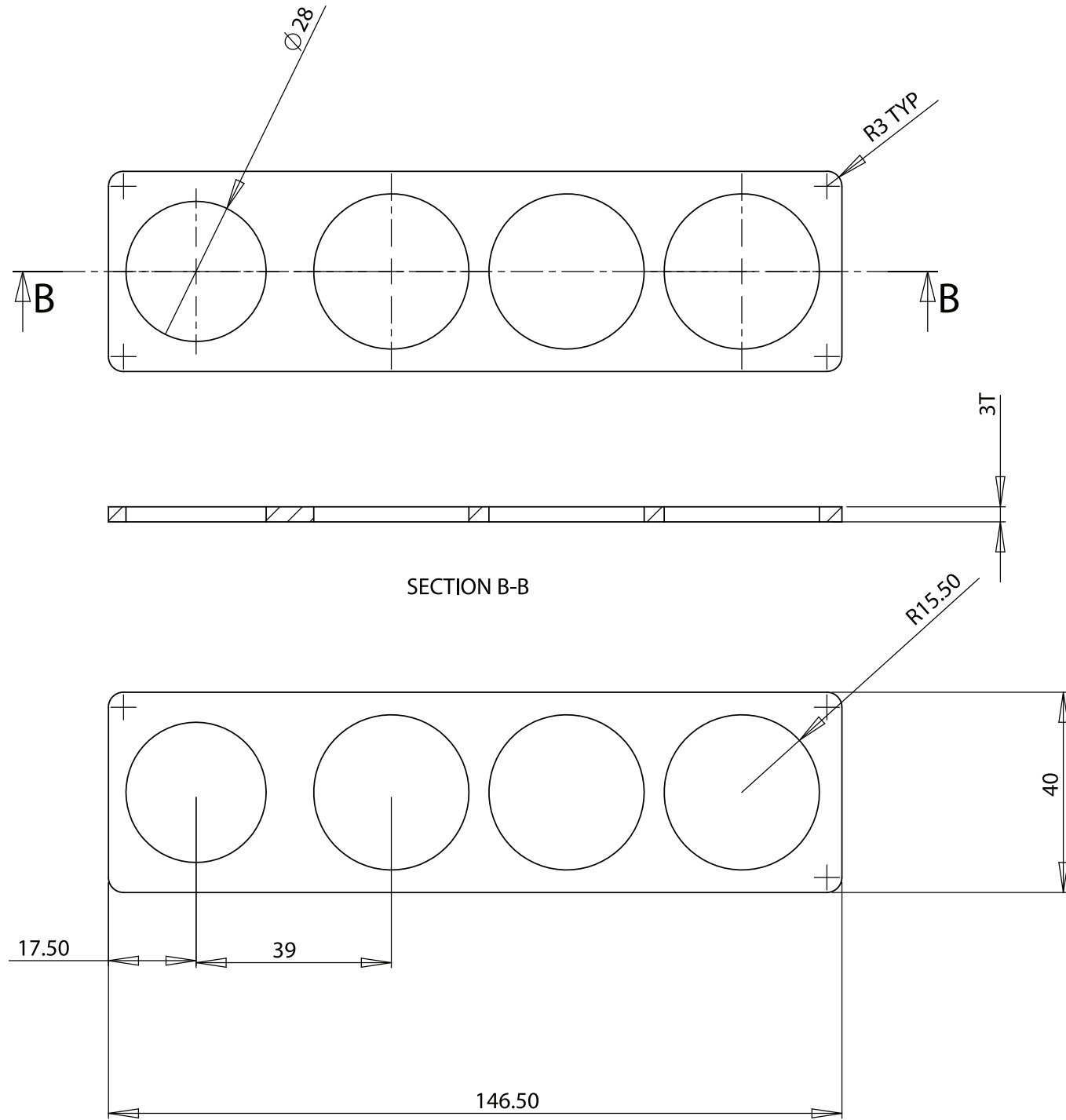
LOCATION OF SERVICES

- The cold water supplying the Quatreau system comes from the cold water riser that supplies cold water to the sink. It runs to the right side of the water heater. Make sure you have an isolation valve to service the system.
- Power to be located high in cabinet. Recommended on the left side of cabinet 20" up from base and 10" from front
- See drawings for further information

QUATREAU SMART TAP TYPICAL INSTALLATION



QUATREAU SMART TAP CUTTING TEMPLATE

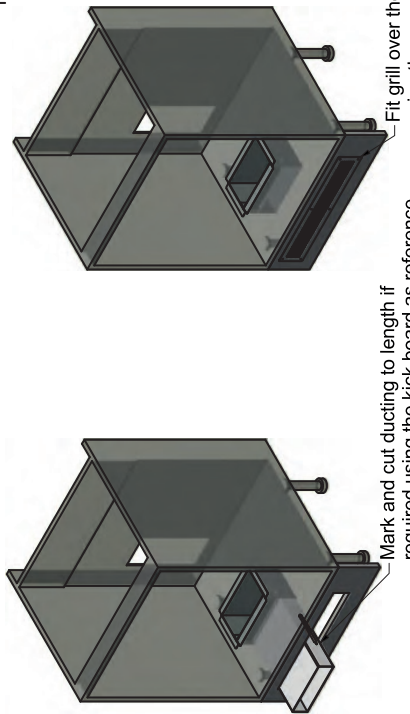
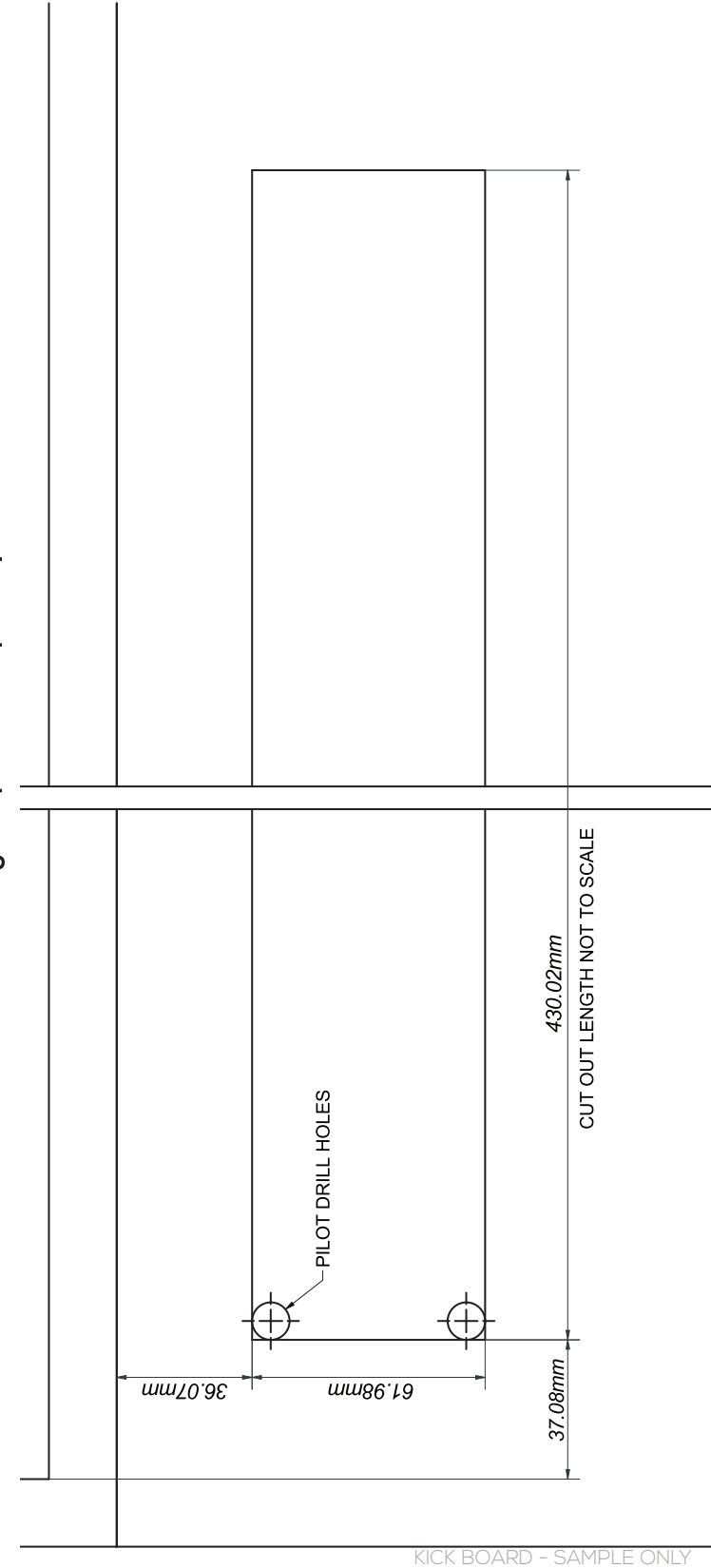


NOTES:

Unless otherwise specified dimensions are in millimeters.

QUATREAU SMART TAP VENTILATION DRAWINGS - KICK BOARD sample only

VENTILATION DRAWINGS - Kick Board Cutting Template - sample only



Mark and cut ducting to length if required using the kick board as reference.

Fit grill over the kick board cut out using the screws supplied.

IMPORTANT: Before making any cuts into the cupboard or kick board, ensure the area to be cut is free from water pipes or electrical cables. There is a risk of serious injury or death if electrical cables are cut, and significant damage to property if a water pipe is cut.

Use for: Q-C20, Q-CS20

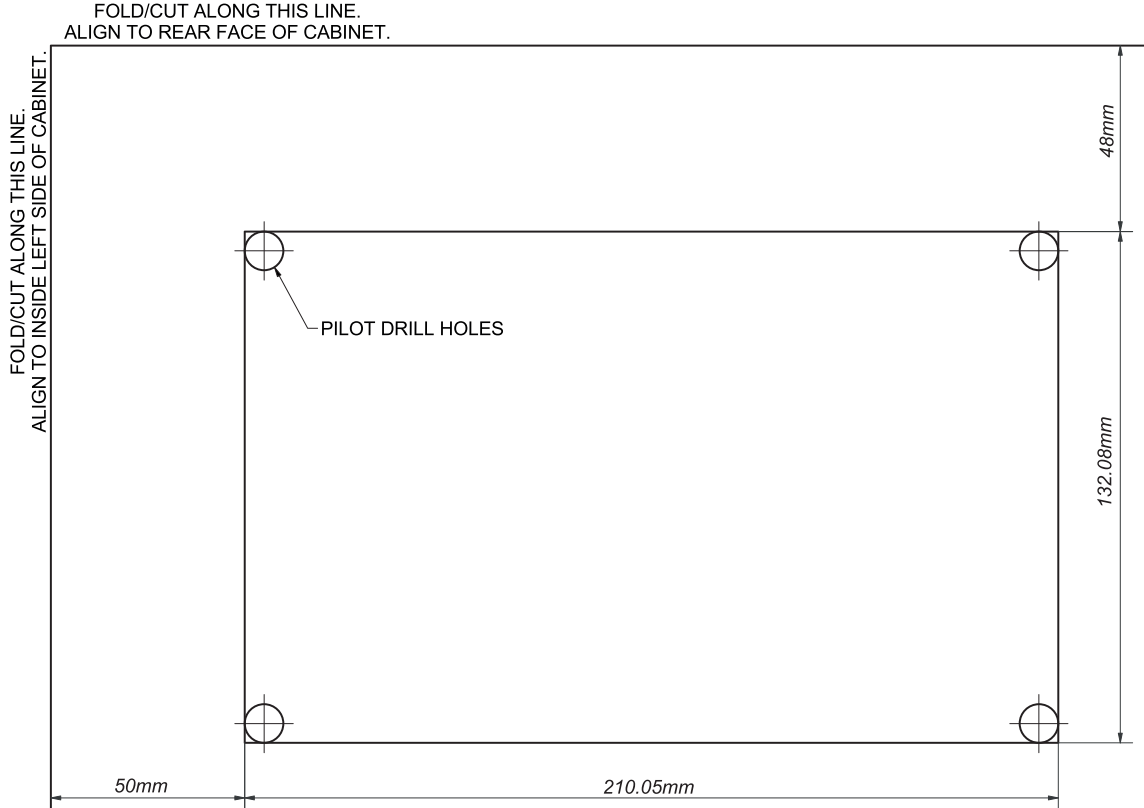
3B7698-01 KICK-BOARD CUTTING TEMPLATE.

QUATREAU SMART TAP

VENTILATION DRAWINGS – BASE CUTTING TEMPLATE

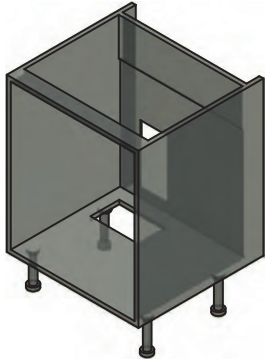
sample only

VENTILATION DRAWINGS - Base Cutting Template - sample only



IMPORTANT: Before making any cuts into the cupboard or kick board, ensure the area to be cut is free from water pipes or electrical cables. There is a risk of serious injury or death if electrical cables are cut, and significant damage to property if a water pipe is cut.

Use for: Q-C20, Q-CS20



Distributed by: Global Water Solutions
Find out more at: www.Quatreau.com